



MP90 - hygienic design thermoformer

Our most compact Thermoformer

The thermoforming machine MP90 was created for small productions in the pharmaceutical, food, cosmetic, veterinary and hospitality industries. It stands out for being a machine of simple operation and high reliability.

Available versions:

MECHANICAL| PNEUMATIC.

Both versions are maintenance-free and offer a variety of accessories and options..



GENERAL FEATURES

Voltage: 220v50/60hz

Electrical Power: 2kw

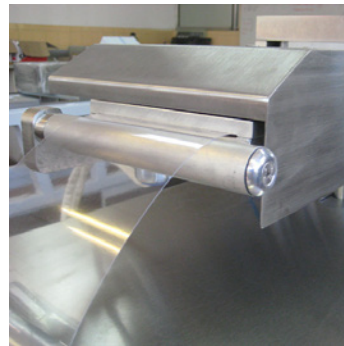
Air consumption: 11/66 gal/min - 6bar (87psi)

Water: 15°C [59°F] to 18°C [65°F]

Weight: 250Kg / 551Lb

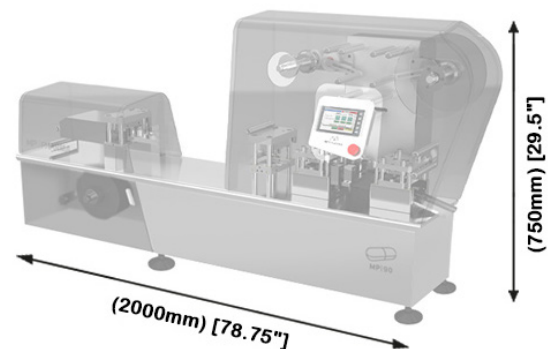
Dimensions: L= 2000mm [78.75"] W=550mm [21"]

H=750mm [29.5"] / 1500mm [59"]



TECHNICAL FEATURES

Production capacity	40 blisters/min 70mm x 95mm
Machine speed	from 5 to 40 cycles/min
Standard Thermoforming Depth	from 0 to 30mm
Formable material width	115mm
Machine feed	75mm
Useful area	105mm x 70mm



APPLICATIONS



Allows the use of various formable materials: PVC / PVC-PVDC / ACLAR ALU-ALU / PET. In addition to tablets and capsules, this thermoforming machine can be used for vials, syringes, and ampoules, as well as solid, semi-solid or liquid products. With a forming depth up to 30mm.

